

Direct drive gear pump-motor units DGD09 series



Find out more

The DGD09 series direct drive gear pumps derive from the well established mag drive MG200 series.

Built to handle clean water and relatively viscous fluids at low pressure, the DGD09 series pump-motor unit has low pulsation and is capable of handling fluids at a maximum temperature of 70 °C (158 F). The extreme compactness of its design makes it the preferred choice where space is limited. Suction/discharge ports are 8 mm barbed end.

Motor version (brush type):

- 1550 rpm, 24 V DC
- 3200 rpm, 24 V DC
- 3900 rpm, 24 V DC



MAIN APPLICATIONS

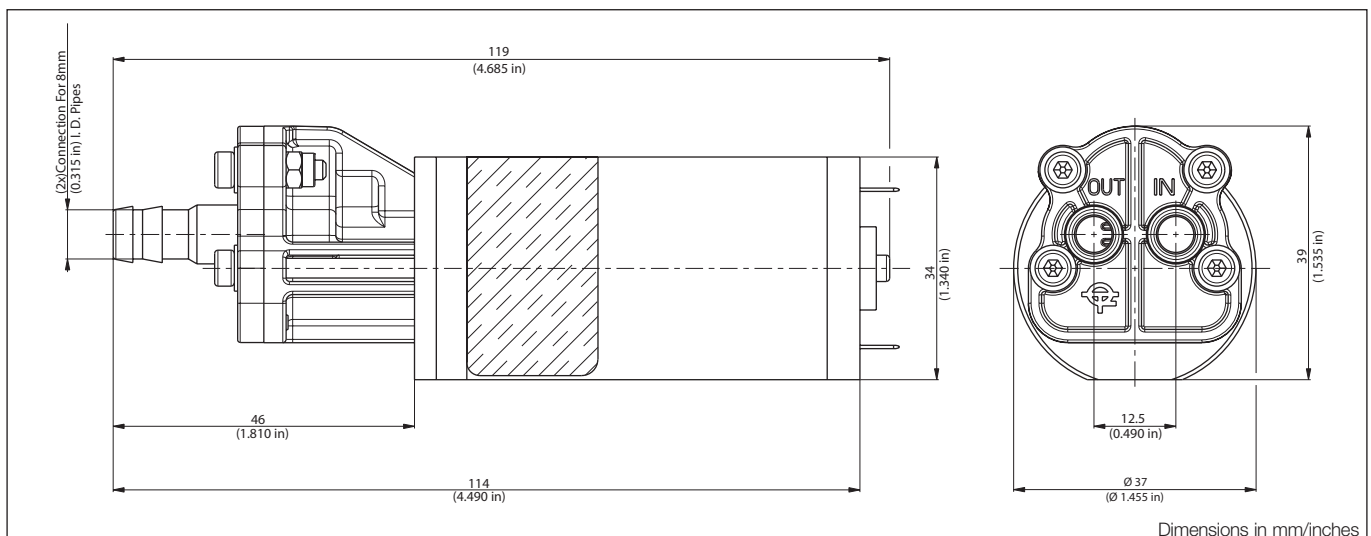
- Water purification
- Laser cooling
- Spraying
- Water recirculation
- Condensation removal
- Syrup dispensing
- Vending machines
- Food processing
- Digital macro printing



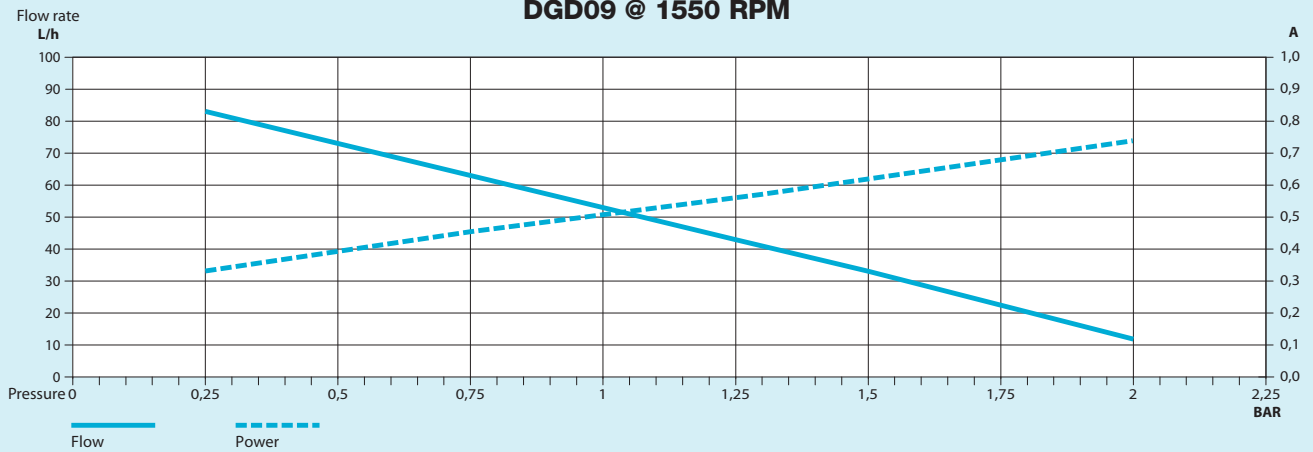
MODEL NUMBER MATRIX

MODEL NUMBER MATRIX					POS	DESCRIPTION	CODE
Position	1	2	3	4	1	Pump series	DGD = direct drive
Code	DGD	09	N	A01	2	Gears width	09 = 9 mm *
				0000	3	Elastic material	N = NBR V = VITON®
					4	Motor	A01 = 1550 rpm A02 = 3200 rpm A03 = 3900 rpm

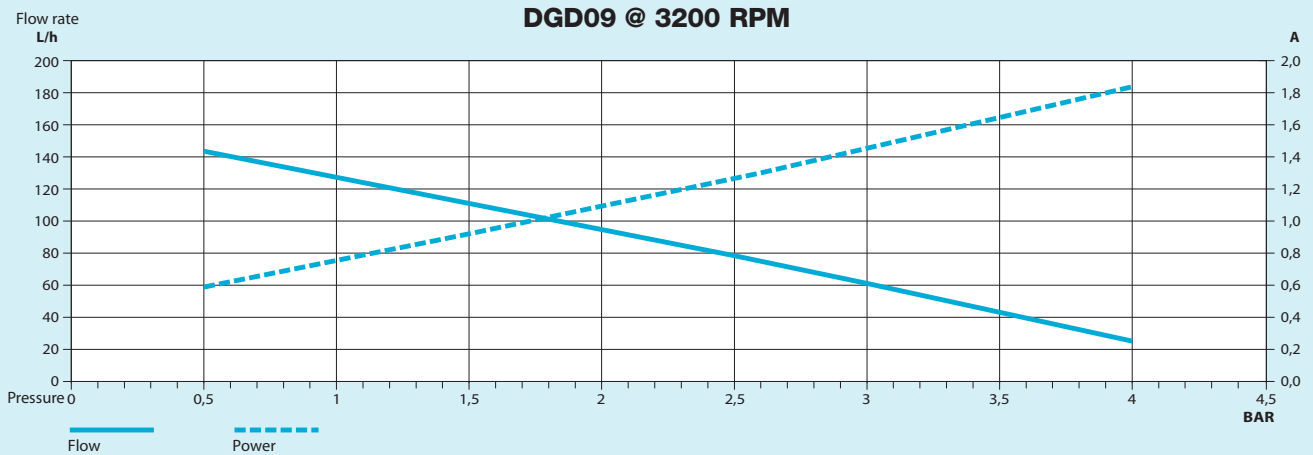
* 4 mm gears version available upon request



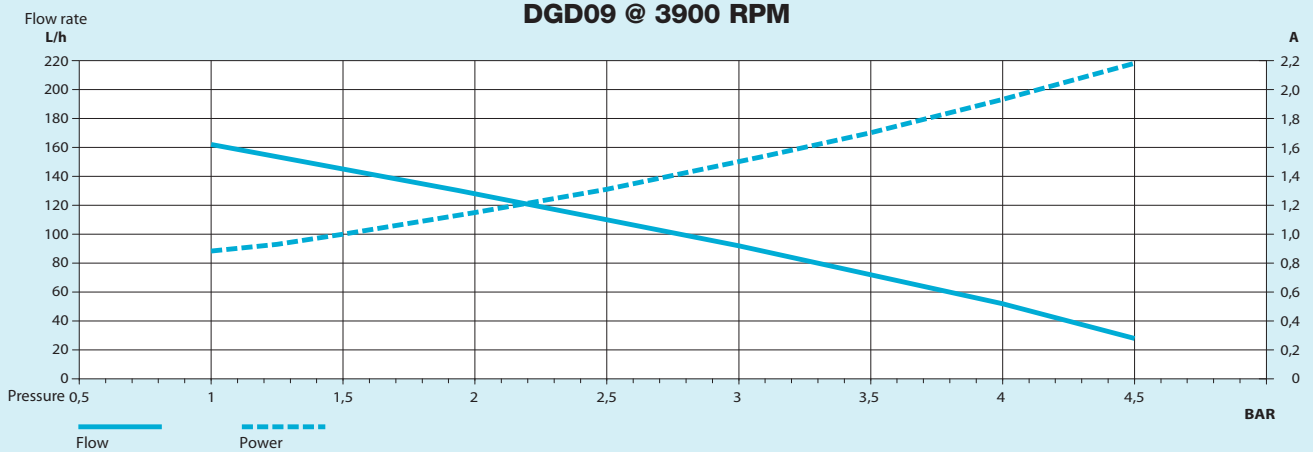
DGD09 @ 1550 RPM



DGD09 @ 3200 RPM



DGD09 @ 3900 RPM



Note: Characteristics with water at 20 °C (68 F). Weight: 0,36 kg (0,79 Lb).
 For applications involving other fluids, high temperatures or unusual processing conditions, please consult the factory or an authorized Fluid-o-Tech distributor.

Fluid-o-Tech reserves the right to alter the specifications indicated in this catalogue at any time and without prior notice.

Fluid-o-Tech srl
 Via Leonardo da Vinci, 40
 20094 Corsico, Milano, Italy
 Tel. +39 02 9995 01
 Fax +39 02 9995 0999
 info@fluidotech.it

Fluid-o-Tech Int'l Inc.
 161 Atwater St.,
 06479 Plantsville CT (USA)
 Tel. +1 (860) 276 9270
 Fax +1 (860) 620 0193
 info@fluid-o-tech.com

Fluid-o-Tech Int'l Inc. Japan
 203, 2-17-19, Ebara, Shinagawa
 Tokyo 142-0063, Japan
 Tel. +81 (0) (3) 3783 9660
 Fax +81 (0) (3) 3783 9661
 k.kato@fluidotech.com

Fluid-o-Tech Asia (Beijing) Co., Ltd
 Jingwei Industrial Zone,
 Beifang Huairou, Beijing, 101400, PRC
 Tel. +86 (0) (10) 6168 4650
 Fax +86 (0) (10) 6168 4651
 info@fluidotech-asia.com